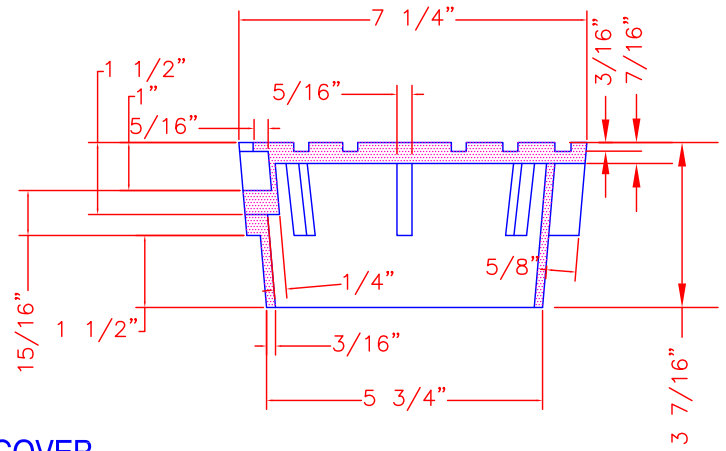


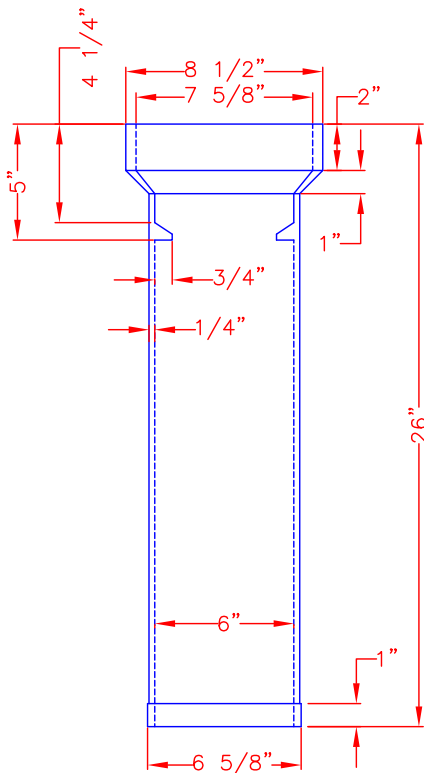
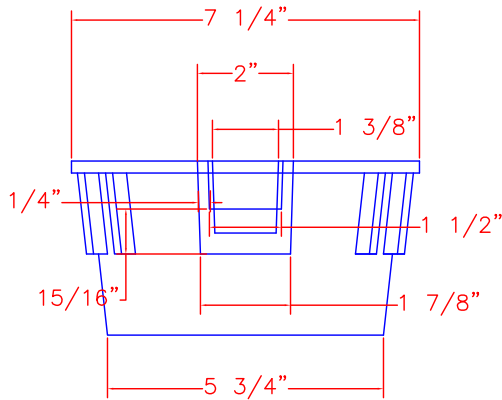
COVER



SECTION A-A

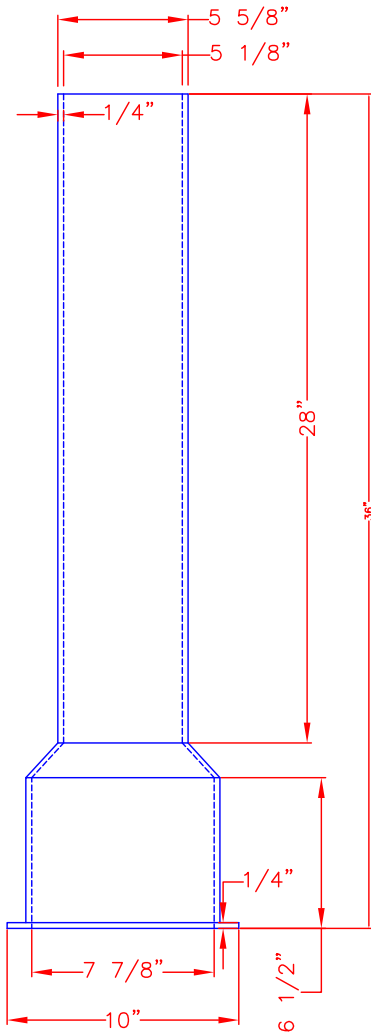
NOTE:

ALL CASTINGS SHALL BE MANUFACTURED FROM GRAY IRON CONFORMING TO ASTM A48 CLASS 35B AND/OR AASHTO M105 CLASS 35B.



TOP SECTION

ACCESS TUBE



BOTTOM SECTION

Location: V:\eng\ACAD_STD\Technical\Details\F - Castings\F2-10 - Buffalo Type Valve Box.dwg
Plotted on: Thursday, January 23, 2014 - 10:08 AM by Donohoe, William



Boston Water and Sewer Commission

980 HARRISON AVE., BOSTON, MA 02119
(617) 989-7000 www.bwsc.org

BUFFALO TYPE VALVE BOX

Scale: Not To Scale

DATE:
JAN 17, 2013

DETAIL NO.
F2-10