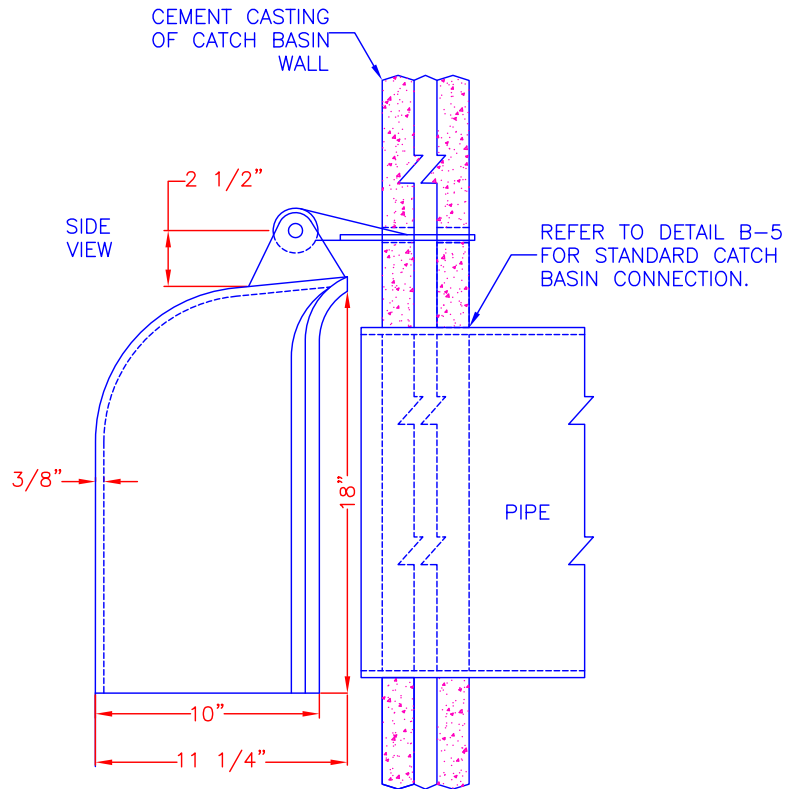
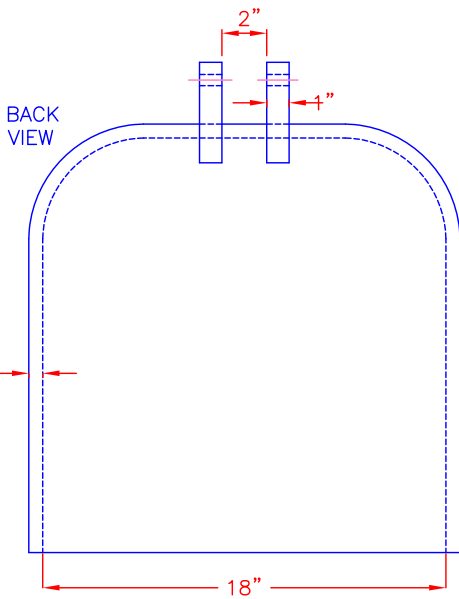
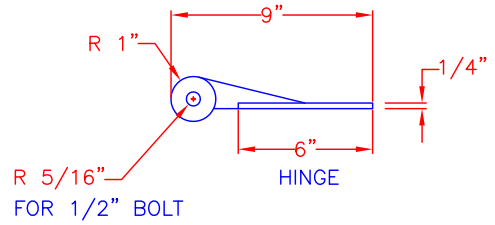
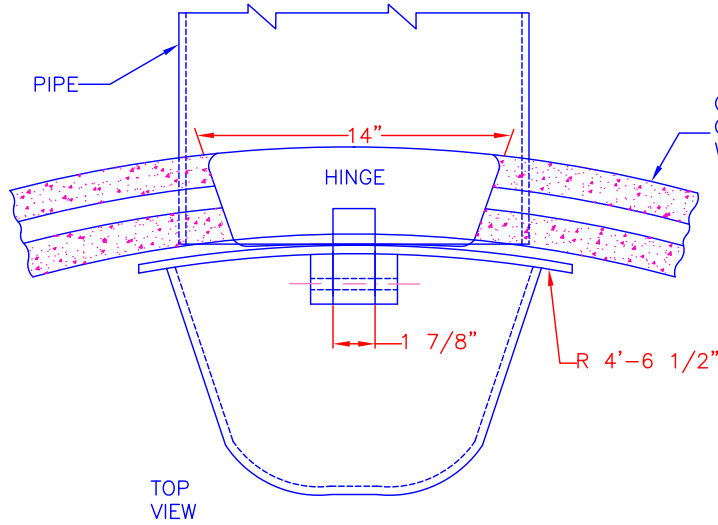


NOTE:

ALL CASTINGS SHALL BE MANUFACTURED FROM GRAY IRON CONFORMING TO ASTM A48 CLASS 35B AND/OR AASHTO M105 CLASS 35B.



NOTE: ASSEMBLED WITH 1/2" DIA. BY 5" HEX HEAD BRASS BOLT & BRASS HEX NUT.



Boston Water and Sewer Commission

980 HARRISON AVE., BOSTON, MA 02119
 (617) 989-7000 www.bwsc.org

CATCH BASIN HOOD

Scale: Not To Scale

DATE:
 JAN 17, 2014

DETAIL NO.
F1-D22e