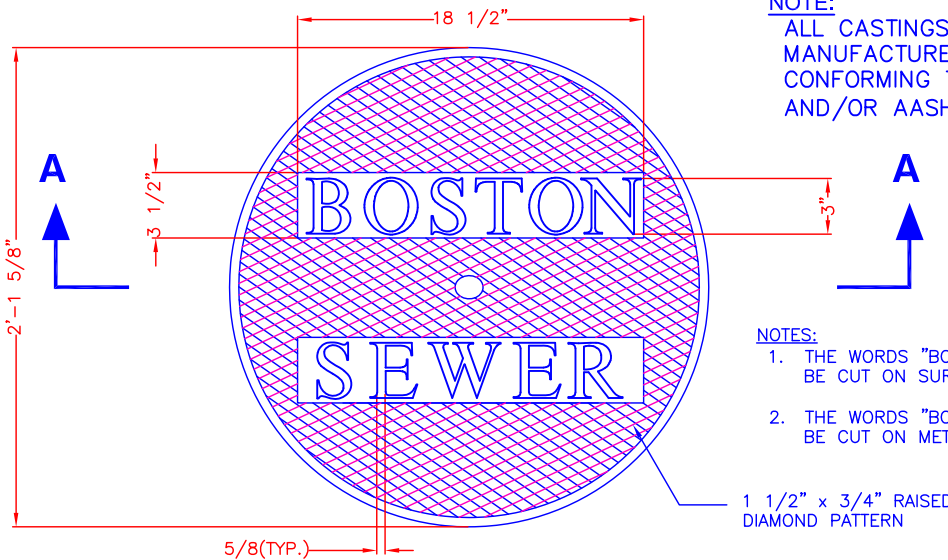


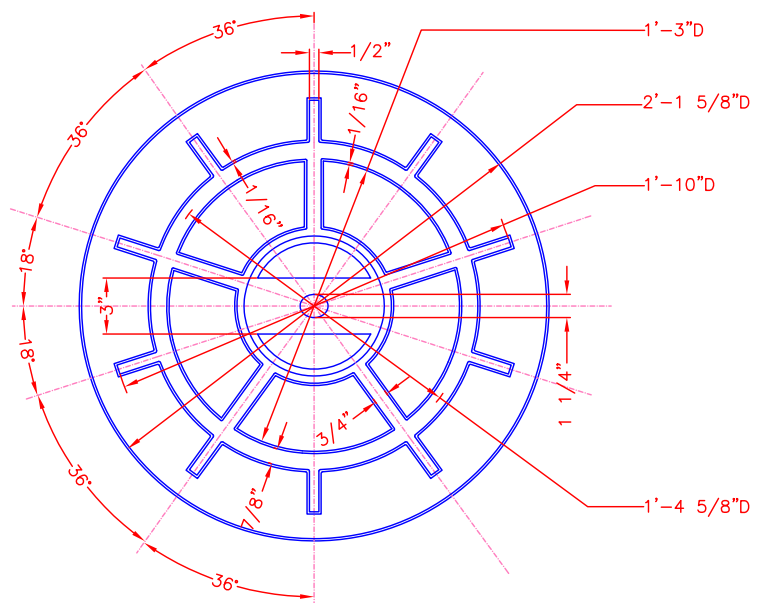
**NOTE:**  
 ALL CASTINGS SHALL BE  
 MANUFACTURED FROM GRAY IRON  
 CONFORMING TO ASTM A48 CLASS 35B  
 AND/OR AASHTO M105 CLASS 35B.



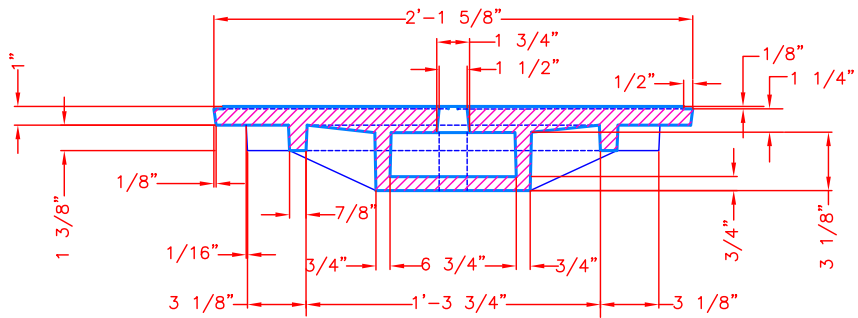
**NOTES:**  
 1. THE WORDS "BOSTON DRAIN" SHALL  
 BE CUT ON SURFACE DRAIN COVERS  
 2. THE WORDS "BOSTON METER" SHALL  
 BE CUT ON METER COVERS

1 1/2" x 3/4" RAISED  
 DIAMOND PATTERN

**PLAN**



**PLAN  
 UNDERSIDE OF COVER**



**SECTION A-A**

NO.99910004 "METER"  
 NO.99890000 "SEWER"  
 NO.999100001 "DRAIN"

Location\Filenames: V:\eng\ACAD\_STD\Technical\Details\F - Castings\F1-D04 Type A-2 Street and Sidewalk Manhole Cover - SEWER.dwg  
 Plotted on: Thursday, January 23, 2014 - 9:36 AM by Donohoe, William



**Boston Water and  
 Sewer Commission**  
 980 HARRISON AVE., BOSTON, MA 02119  
 (617) 989-7000 www.bwsc.org

**TYPE A-2 STREET AND SIDEWALK  
 MANHOLE COVER - SEWER**

Scale: Not To Scale

DATE:  
 Jan. 14, 2014

DETAIL NO.  
**F1-D04**