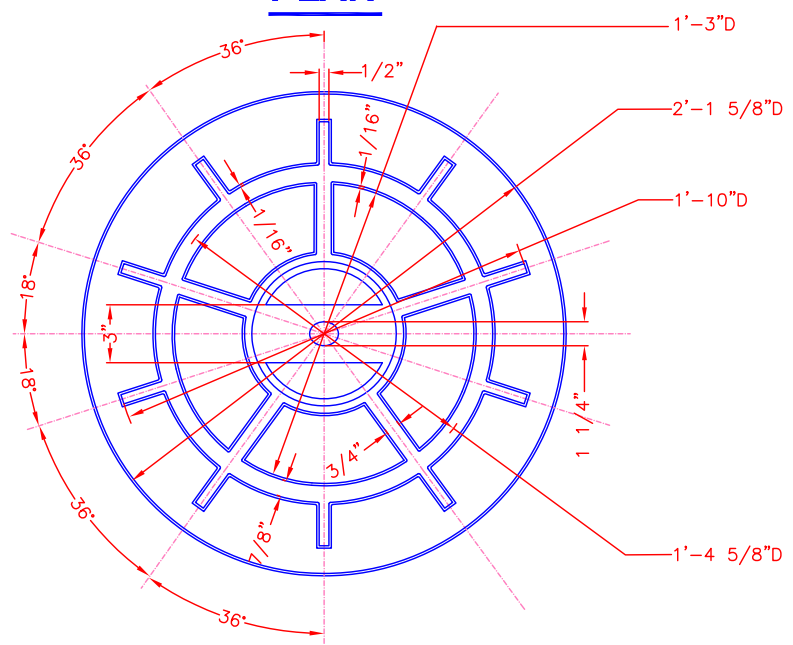


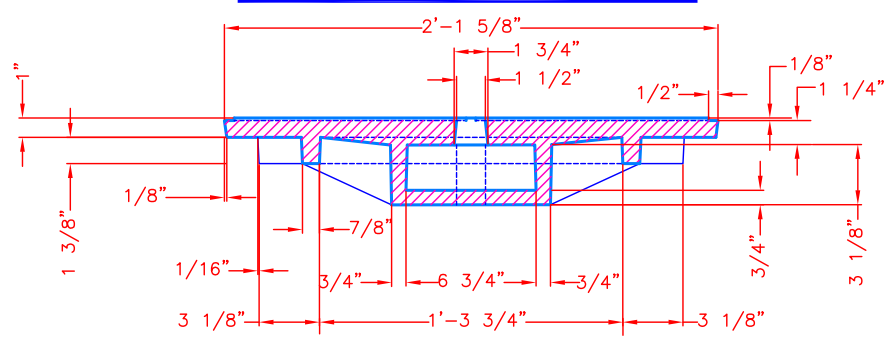
**NOTE:**  
 ALL CASTINGS SHALL BE  
 MANUFACTURED FROM GRAY IRON  
 CONFORMING TO ASTM A48 CLASS 35B  
 AND/OR AASHTO M105 CLASS 35B.

**NOTE:**  
 THE WORDS "BOSTON AC"  
 SHALL BE CUT ON SURFACE  
 FOR AIR COCK COVERS.

**PLAN**



**PLAN  
 UNDERSIDE OF COVER**



**SECTION A-A**

NO. 99910000 "AC"  
 NO. 99900000 "BV"

Location:Filename: V:\eng\ACAD\_STD\Technical\Details\F-Castings\F1-D03 - Type A-2 Street and Sidewalk Manhole Cover - BV.dwg  
 Plotted on: Thursday, January 23, 2014 - 9:35 AM by Donohoe, William



**Boston Water and  
 Sewer Commission**  
 980 HARRISON AVE., BOSTON, MA 02119  
 (617) 989-7000 www.bwsc.org

**TYPE A-2 STREET AND SIDEWALK  
 MANHOLE COVER - BV+AC**

Scale: Not To Scale

DATE:  
 Jan. 14, 2014

DETAIL NO.  
**F1-D03**