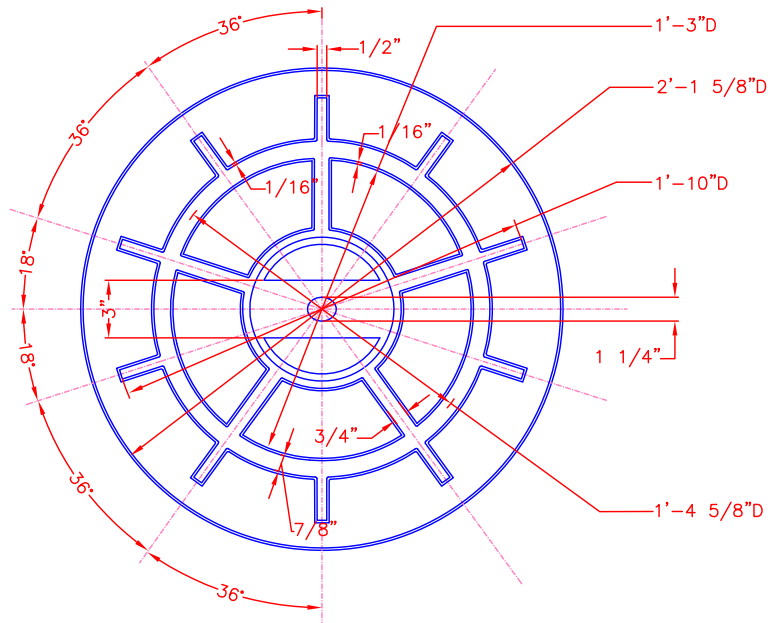
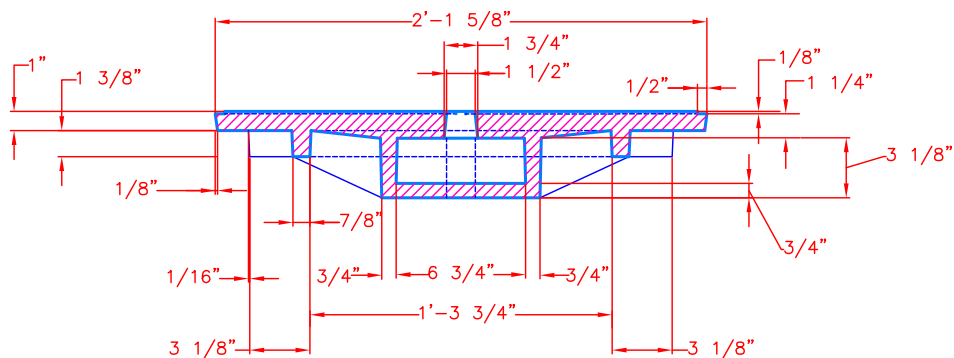


PLAN



**PLAN
UNDERSIDE OF COVER**



SECTION A-A

Location:Filename: V:\eng\ACAD_STD\Technical\Details\F - Castings\F1-D02 - Type A-2 Street and Sidewalk Manhole Cover - HPFS.dwg
Plotted on: Thursday, January 23, 2014 - 9:34 AM by Donohoe, William



**Boston Water and
Sewer Commission**
980 HARRISON AVE., BOSTON, MA 02119
(617) 989-7000 www.bwsc.org

**TYPE A-2 STREET AND SIDEWALK
MANHOLE COVER - HPFS
NO.99910003 "HPFS"
Scale: Not To Scale**

DATE:
Jan. 14, 2014

DETAIL NO.
F1-D02