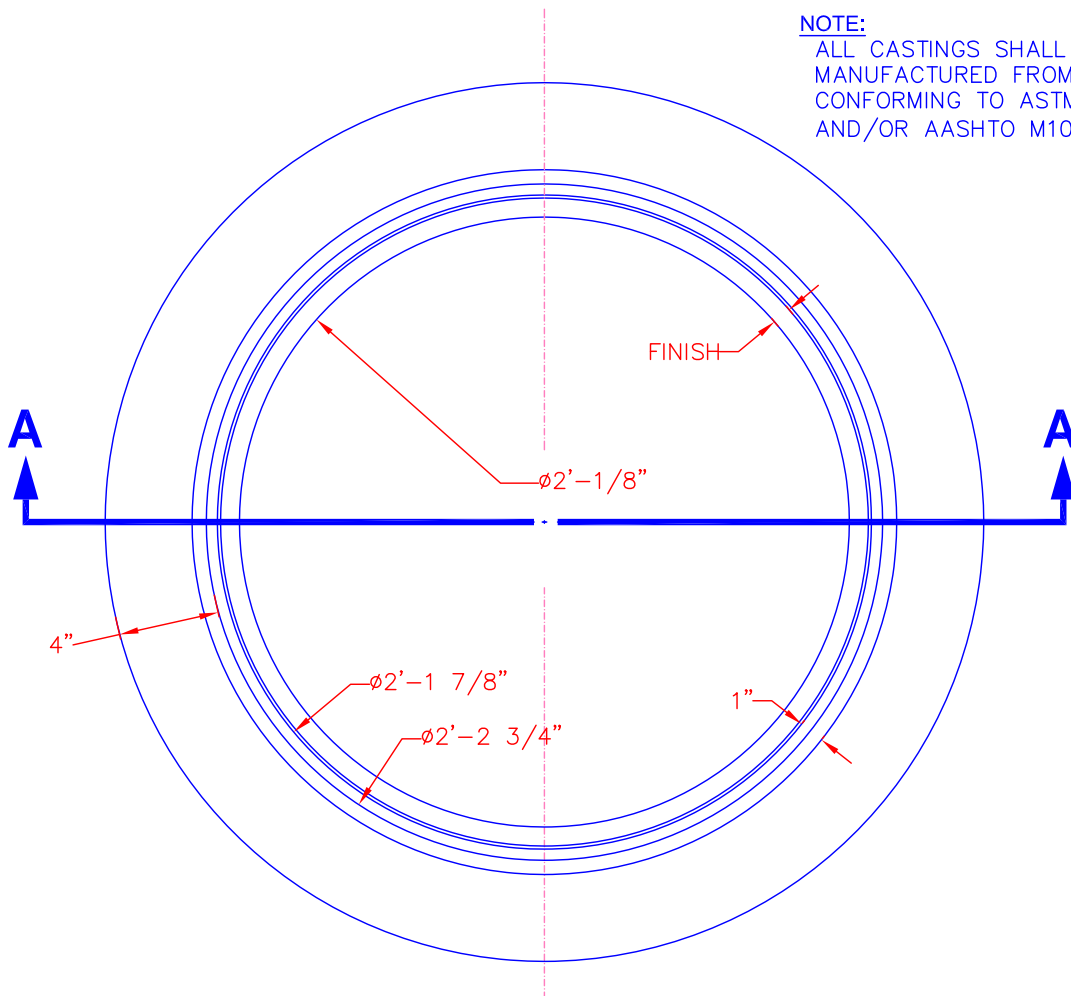
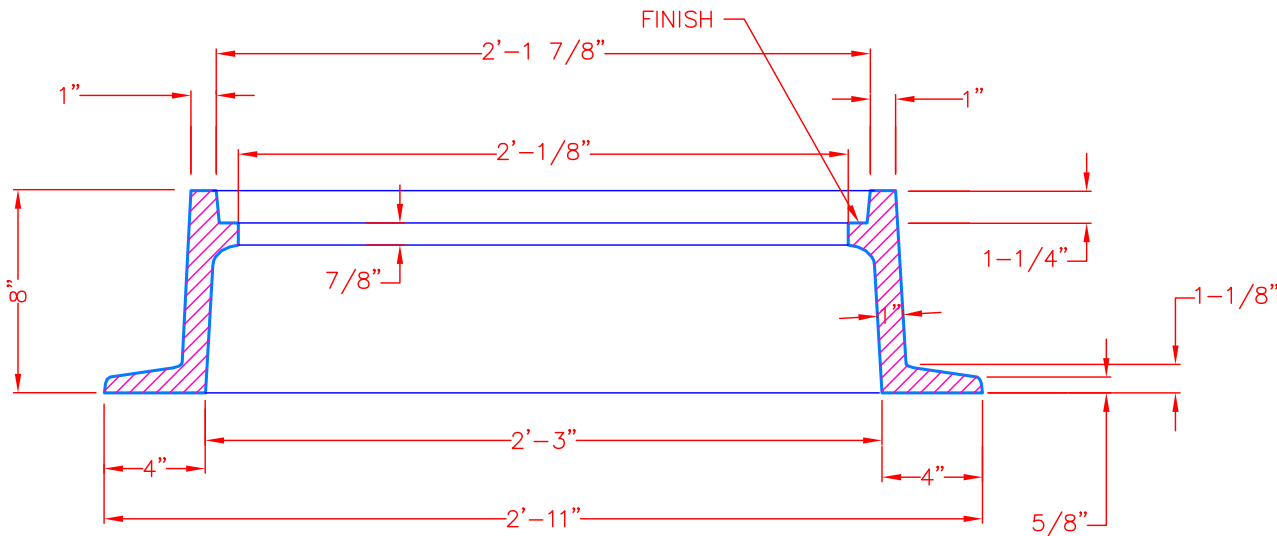


NOTE:

ALL CASTINGS SHALL BE MANUFACTURED FROM GRAY IRON CONFORMING TO ASTM A48 CLASS 35B AND/OR AASHTO M105 CLASS 35B.



PLAN



SECTION A-A

Location:Filename: V:\eng\ACAD_STD\Technical\Details\F - Castings\F1-D01 - Type A Manhole Frame.dwg
Plotted on: Thursday, January 23, 2014 - 9:33 AM by Donohoe, William



Boston Water and Sewer Commission

980 HARRISON AVE., BOSTON, MA 02119
(617) 989-7000 www.bwsc.org

**TYPE A MANHOLE FRAME
NO.99880000**

Scale: Not To Scale

DATE:
Jan. 14, 2014

DETAIL NO.
F1-D01